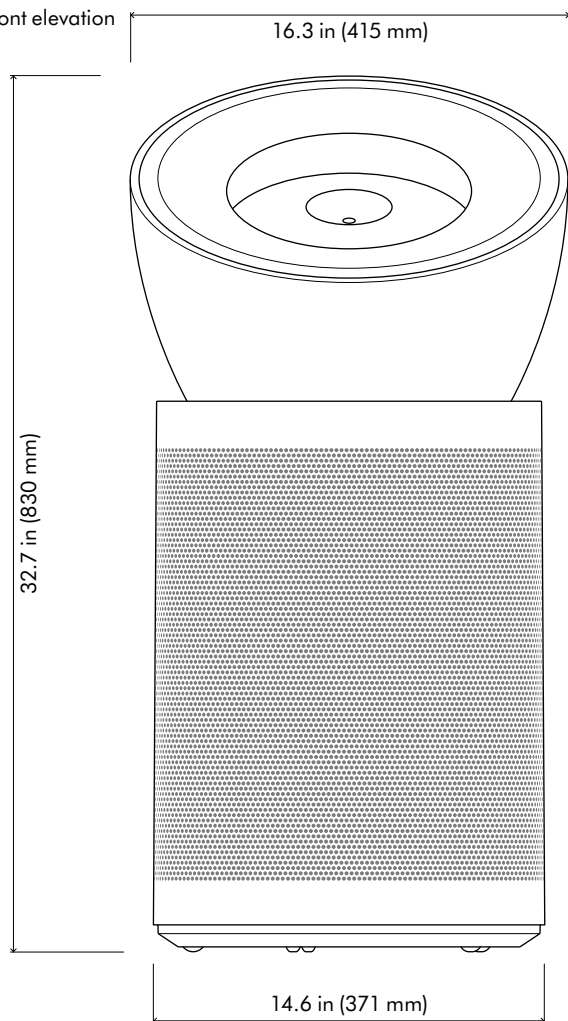


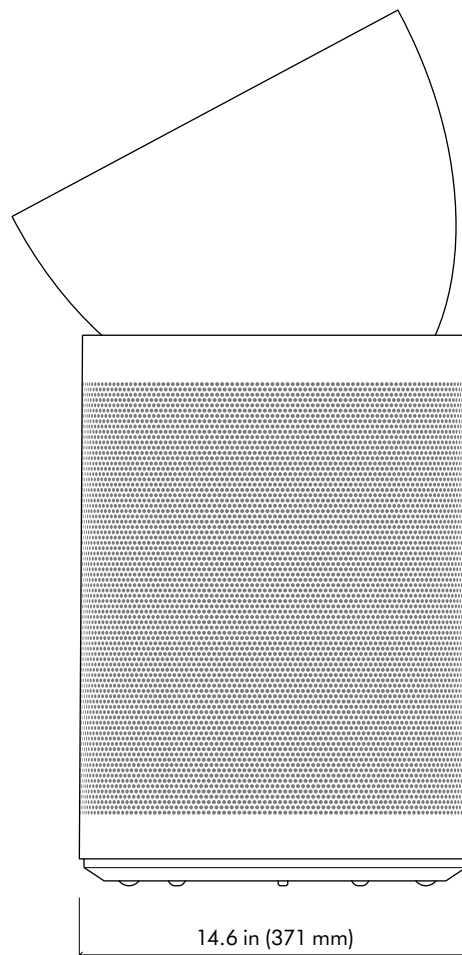
dyson purifier big+quiet formaldehyde

Technical specification

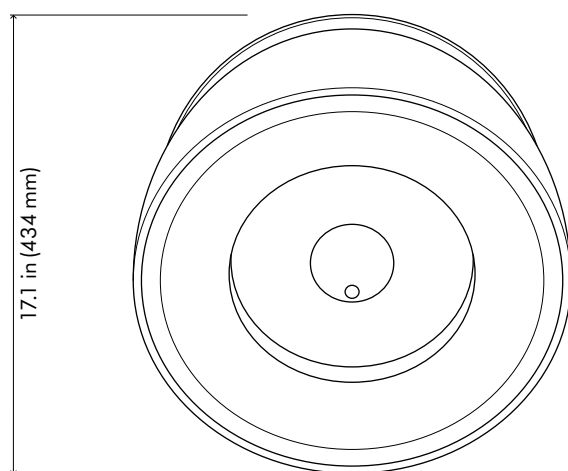
Front elevation



Side elevation



Plan elevation



Machine dimensions

Height: 32.7 in (830 mm), Width: 16.3 in (415 mm), Depth: 17.1 in (434 mm)

Base diameter: 14.6 in (371 mm)

For further information contact:

888-397-6622

design@dyson.com

www.dyson.com

dyson purifier big+quiet formaldehyde

Electrical

Input voltage: 120 V

Standby: Power consumption <0.5W

Minimum setting: Power consumption 20W

Maximum setting: Power consumption 50W

Construction

Polypropylene

Polycarbonate

ABS

Filter

HEPA Filtration: 99.97%¹

360° HEPA, Carbon and SCO filter

Material: Glass media, carbon filter and SCO filter

Filter life HEPA: 21,900 hours² (2.5 years based on 24hrs use a day)

Filter life Carbon: 8,760 hours² (1 year based on 24hrs use a day)

Filter life SCO: Lifetime

HEPA Filter: H: 17.7 in (450 mm), Dia: 14.3 in (363 mm), Net weight: 3.3 lbs (1.5 kg)

Carbon Filter: L: 31.9 in (810 mm), W: 16.3 in (414 mm), Thick: 0.47 in (12 mm), Net weight: 1.98 lbs (0.9 kg)

SCO Filter: H: 6.5 in (164 mm), Dia: 8.6 in (210 mm), Net weight: 0.33 lbs (0.15 kg)

Operation

For indoor use only

Operation environment:

Engineered to operate between 0-104°F (0-40°C), 0-100% humidity

10 airflow settings

Projection/Angle: 0°, 25° or 50°

Auto mode: Automatically monitors air quality and adjusts airflow accordingly

Standby mode

Sleep time increments: 1, 2, 4, 8 hours

Hidden OCA LCD screen

Connectivity: Bluetooth/WIFI

Airflow at airflow setting 10 at 50°: 87 l/s

Sound Power level at airflow setting 2: 39.8 dBA

Sound Power level at airflow setting 10: 56 dBA

Remote control battery: CR2032, 3V

Remote control functions: On/Off, Fan Speed, Flow Angle, Auto Mode, Air Quality Info, Off Timer, Do Not Disturb, Filter Reset

MyDyson app

Automatically monitors, reacts and purifies

Live air quality metrics straight to your smart phone³

Logistics

Purifier: Single unit order code: 410636-01 / Unit barcode: 885609026978

HEPA Filter: Single unit order code: 972132-01

Activated Carbon Filter: Single unit order code: 972133-03

Net weight: 26.24 lbs (11.90 kg)

Box weight: 38.69 lbs (17.55 kg)

Packaged dimensions:

(H) 23.6 in (599 mm) x (W) 17.1 in (434 mm) x (D) 30.7 in (780 mm)

Cable length: 5.9 ft (1800 mm)

Standard warranty

2-year limited warranty

Bright Nickel/Prussian Blue



For further information contact:
888-397-6622
design@dyson.com
www.dyson.com

1. Particle challenge by DEHS oil specified in EN1822 within a chamber specified in ASTM F3150.
2. Filter life is determined by dividing total dust load capacity by annual dust load. Annual dust load was calculated using GB/T 18801 daily mass formula. Results may vary in practice. 3. The MyDyson™ app is only compatible with select Dyson products. For a list of compatible products, please visit www.dyson.com/inside-dyson/terms.

Version: 11/23. All information subject to change.