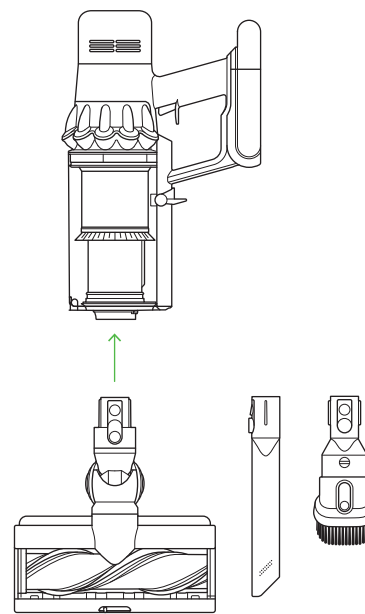
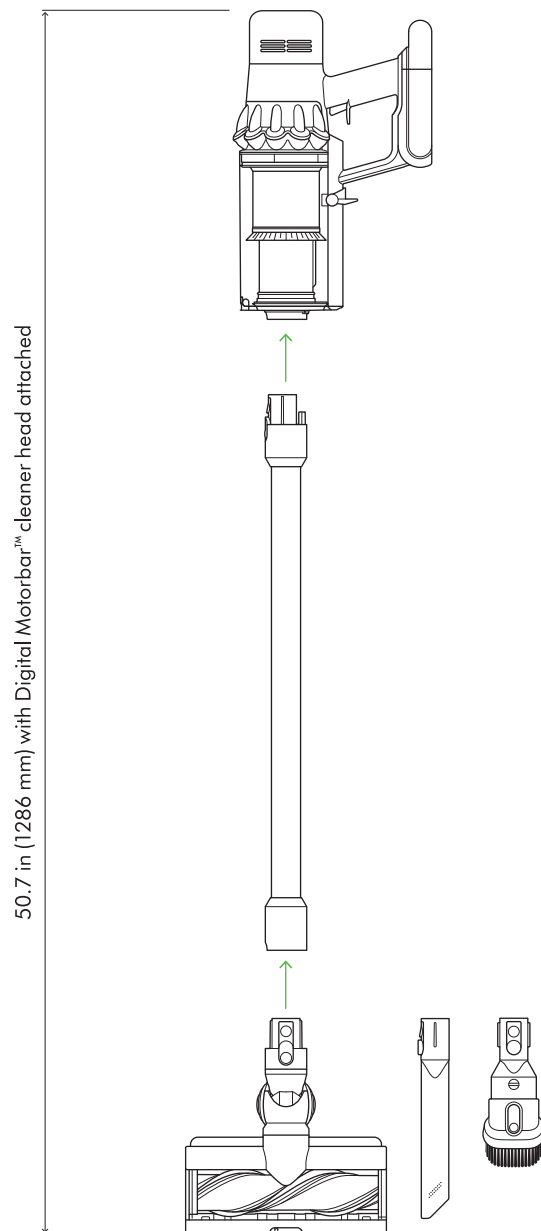


TECHNICAL SPECIFICATION



CORD-FREE VACUUM

HAND-HELD VACUUM



Machine dimensions (Cord-free vacuum)

Length: 50.7in (1286 mm), Width: 9.8in (250 mm),
Digital Motorbar™ cleaner head: 10.3 in (261 mm)

For further information contact:
888-397-6622
design@dyson.com
www.dyson.com/forbusiness

Version: 6.15.2023.
All information subject to change without notice.

General

Sound power level: In Boost mode 82dBA on carpet, 87dBA on hardwood floor
Max Motor Speed: 125,000rpm
Operating power wattage: 545W

Construction

Polycarbonate
ABS
Aluminum

Specification

Bin Volume: 0.2 gallons (0.77 L)
Weight handheld: (body+filter+battery) 4.49 lbs (2.0 kg)
Weight: (body + wand + cleaner head) 6.83 lbs (3.1 kg)
Product dimensions: (L x W x H) 50.7 x 9.8 x 10.3 in (1286 x 250 x 261 mm)
Wand Length: 25.18 in (655.18 mm)

Battery (X2)

Interchangeable battery
Charge: 4.5 hours
Battery Voltage: (Boost) 29.4 (Auto/Medium) 25.2 (Eco) 18.56

Filter

Extra filter included
Lifetime washable
Filtration/machine filtration: Advanced, whole-machine filtration traps 99.99% of fine dust as small as 0.3 microns¹
Wash cycle: 1 month

Logistics

Approx box weight: 15.67 lbs (7.11kg)
Packaged dimensions: 10.7 x 6.1 x 39.25 in (271 x 154 x 997 mm)

Standard warranty

2-year warranty – parts



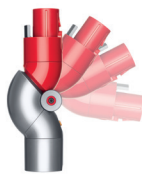
Accessories included in the box



Digital Motorbar™ cleaner head



Hair screw tool



Low-reach adaptor



Combination tool



Crevice tool



Wall Dock™



Additional battery



Additional charger



Additional filter

For further information contact:
888-397-6622
design@dyson.com
www.dyson.com/forbusiness

¹In Boost mode. All other modes achieve at least 99.97% filtration.

Version: 6.15.2023.
All information subject to change without notice.